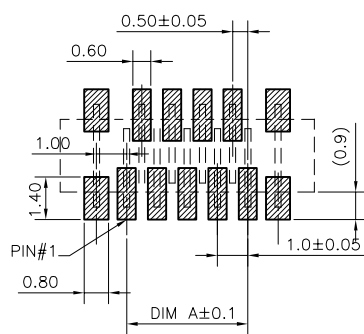
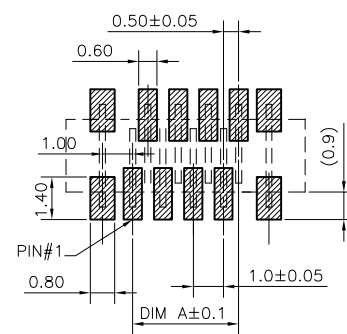


APPLICABLE FPC/FFC LAYOUT
GENERAL TOLERANCE ±0.05



RECOMMENDED PCB LAYOUT(ODD PIN)
GENERAL TOLERANCE ±0.05



RECOMMENDED PCB LAYOUT(EVEN PIN)
GENERAL TOLERANCE ±0.05

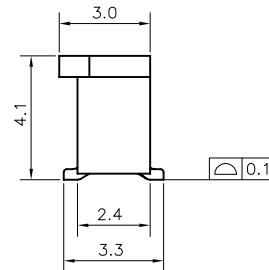
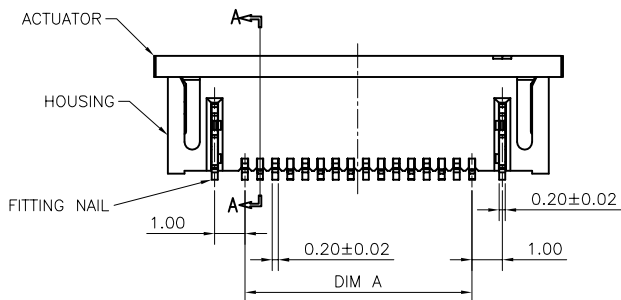
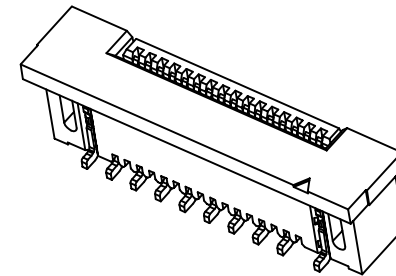
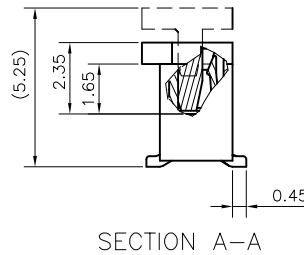
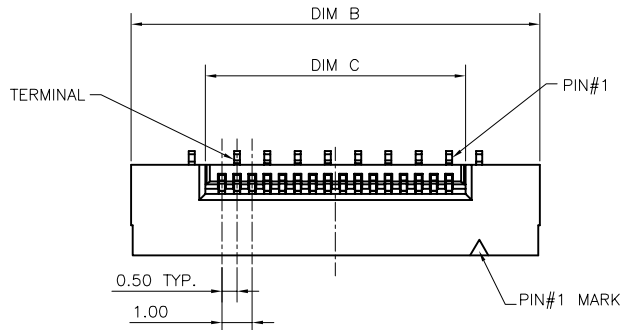
NOTES:

1. MATERIAL:
 - 1.1 HOUSING: THERMOPLASTIC, HIGH TEMP., UL94V-0;
 - 1.2 ACTUATOR: THERMOPLASTIC, HIGH TEMP., UL94V-0;
 - 1.3 CONTACT: COPPER ALLOY
 - 1.4 FITTING NAIL: COPPER ALLOY
2. FINISH:
 - 2.1 CONTACT:
 - 50u" MIN. NICKEL UNDERPLATING OVERALL.
 - 1:GOLD FLASH OVERALL.
 - 2.2 FITTING NAIL:
 - 50u" MIN. NICKEL UNDERPLATING OVERALL.
 - N:80u" MIN. MATTE TIN PLATING OVERALL,
3. REFLOW SOLDER CAPABLE TO 260°C PER ACES SPEC.
4. SPEC. PLS. REFER TO PS-52502-XXXX-XXX
5. PACKAGE PLS. REFER TO 52502-XXXX-XX-TRP

6. PART NUMBER
52502-XXX X X-XXX

NO OF CKT	XXX	Housing Color:	Actuacor Color:	PACKING
	001	NATURAL	BLACK	52502-XXXXCR-00

PACKING: 0: TAPE & REEL
PLATING: 1: G/F OVERALL (LEAD FREE)



CKTS	DIM A	DIM B	DIM C
006	2.50	8.50	3.60
012	5.50	11.50	6.60
024	11.50	17.50	12.60

一般公差 TOLERANCES X: ±0.5 XX: ±0.15 X: ±0.25 XXX: ±0.1 ANGLES: ±2°	宏致電子股份有限公司 Aces Electronics Co.,Ltd.	
檢驗尺寸標示 SYMBOLS Ⓢ Ⓣ INDICATE CLASSIFICATION DIMENSION Ⓢ MARK IS CRITICAL DIM. Ⓣ MARK IS MAJOR DIM. 表面處理 (FINISH)	品名 (TITLE) 0.5mm PITCH ZIF CONN. SMT S/T TYPE 圖號 (DWG.NO) 52502-XXXXX-XXX	製圖 (DR) '21/08/12 ZHUWEI 審核 (CHKD) BRAVE 核准 (APPD) BRAVE
比例 (SCALE) 5:1	單位 (UNITS) mm	張數 (SHEET) 1 OF 1 尺寸 (SIZE) A4 版次 (REV) A